



VT-RT6M

Bluetooth® Low Energy Module

Version 1.2 Release

■ INTRODUCTION

VT-RT6M is an ultra-low-power SoC module for Bluetooth® 5.3 low energy applications that combines the excellent performance of a leading RF transceiver with a low-power ARM® Cortex-M4F and rich powerful supporting features and peripherals. The VT-RT6M supports Bluetooth® mesh networking specification suited for large-scale device networks to support building automation, sensor networks, asset tracking and other solutions where multiple devices need to communicate reliably and securely.

■ FEATURES

- Bluetooth® Core Spec v5.3 compliant
- Supports Bluetooth Mesh Networking Specification
- Supports AES128/192/256 encryption/decryption
- Supports OTA (Over-the-Air) for firmware upgrade
- AT-Command supported for easy project development
- Battery Supply Voltage 1.8V to 3.6V
- Operational Temperature -30°C to +85°C
- Current Consumptions
 - Power Down Mode 450nA (Typ.)
 - Deep LPS (with 160K SRAM retention) Mode 2.5uA (Typ.)
 - TX Mode (+0dBm) 8.4mA (Typ.)
 - TX Mode (+4dBm) 10.4mA (Typ.)
 - TX Mode (+8dBm) 12.7mA (Typ.)
 - RX Mode 6.8mA (Typ.)
- Radio Bluetooth® Qualification, **DID: D066920**
(Bluetooth SIG listing declaration ID attached in the last section)
- Meets Radio Certification FCC, RED, MIC Japan and NCC TW
- Dimension 11.05mm(W) x 17.0mm(L) x 2.1mm(H)
- Pb Free, RoHS Compliant



TABLE OF CONTENTS

■ REVERSION HISTORY	3
■ MODULE SPECIFICATIONS	4
■ BLOCK DIAGRAM	4
■ PIN ASSIGNMENTS (TOP VIEW)	5
■ PIN DEFINITIONS	5
■ APPLICATION EXAMPLE	7
■ INTERFACE DESCRIPTIONS	8
■ ELECTRICAL CHARACTERISTICS	9
■ PCB LAYOUT GUIDE	14
■ MODULE DIMENTIONS	15
■ ANTENNA TEST REPORT	16
■ BQB LISTING	17
■ BLUETOOTH RF TEST	18
■ FCC CERTIFICATE	19
■ CE CERTIFICATE	20
■ MIC CERTIFICATE	21
■ NCC CERTIFICATE	22



■ REVERSION HISTORY

Version Code	Date	Descriptions
0.52 BETA	7-MAY-19	Preliminary release
0.53 BETA	6-JUN-19	Change module part no.; Update operational temperature range;
0.60 BETA	4-SEP-19	Add module block diagram; Add AT Command mode pin definitions; Add module interface descriptions; Add module electrical characteristics; Add PCB layout guide;
1.0	21-Dec-20	Add RF certifications
1.1	8-Apr-22	Update module information
1.2	22-Jan-24	Upgrade Bluetooth version and SIG listing declaration ID

Notice:

The information described in this document is the exclusive intellectual property of MediaWave Intelligent Communication LTD.

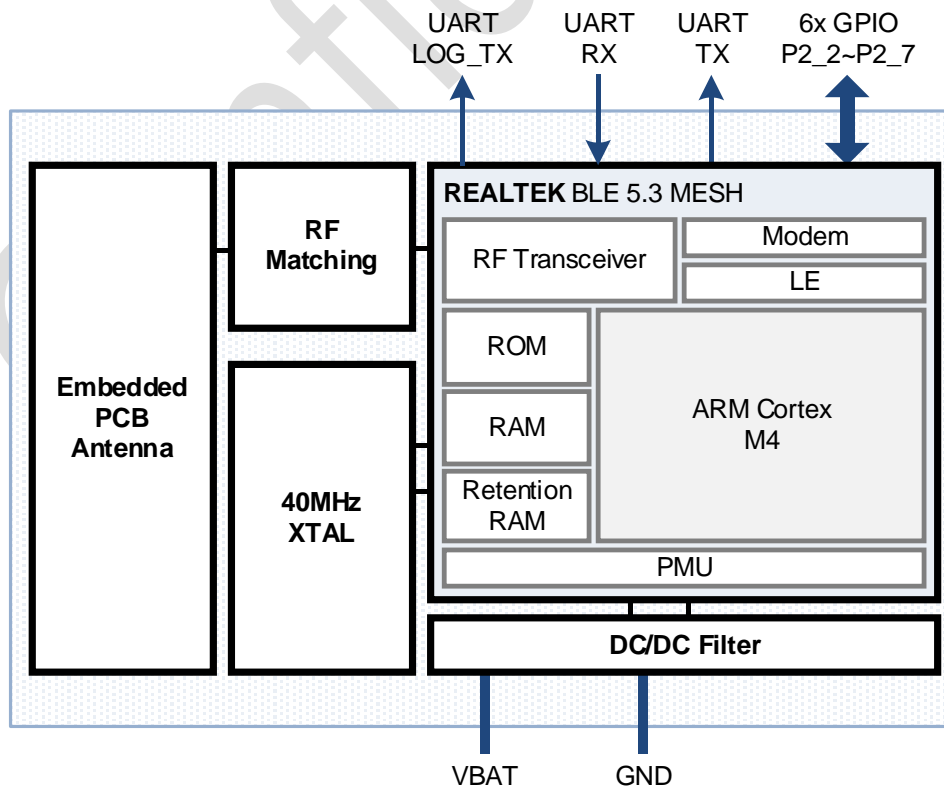
and shall not be reproduced without permission from MediaWave.

MediaWave assumes no responsibility for errors or omissions. All data and specifications are subject to change without notice.

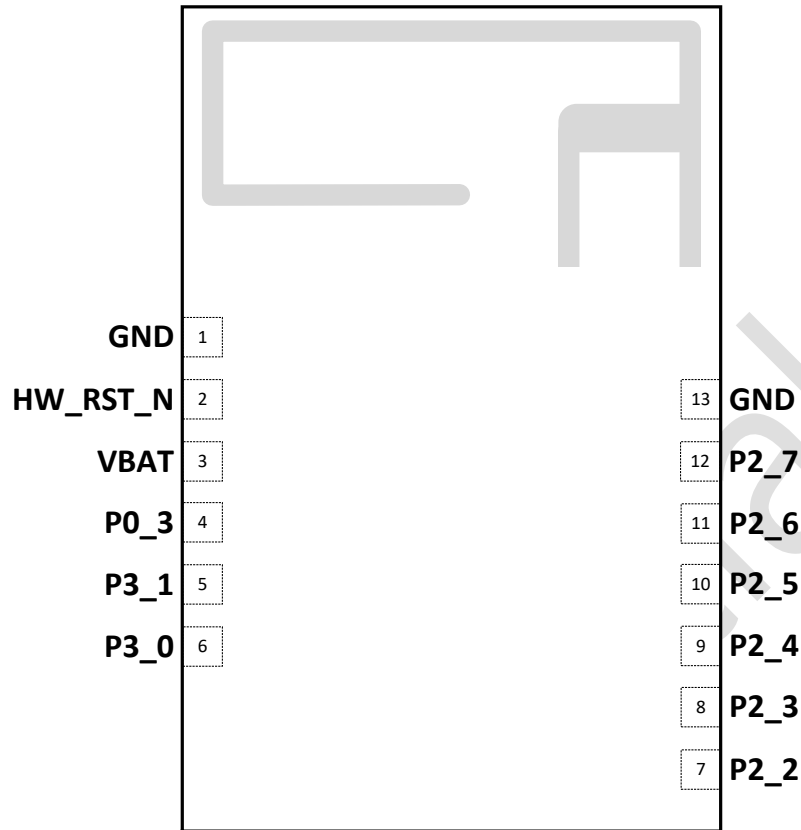
MODULE SPECIFICATIONS

Specification Name	Descriptions	
Module Dimension	11.05mm(W) x 17mm(L) x 2.1mm(H)	
BLE Core Compliant	BLE V5.3	
Operation Distance	Up to 80Meters (*LE 1M, apply to apple testing results)	
Power Supply	1.8V – 3.6V	
Power Consumption	Power Down Mode	450nA
	Deep LPS	2.5uA
	TX mode (+0dBm)	8.4mA
	TX mode (+4dBm)	10.4mA
	TX mode (+8dBm)	12.7mA
	RX mode	6.8mA
Antenna Type	embedded PCB antenna	
GPIO Numbers:	Up to 8x (including P3_0 and P3_1)	
PWM Numbers:	Up to 6x (P2_2 to P2_7)	
12bit ADC Numbers:	Up to 6x (P2_2 to P2_7)	
Support interfaces	UART/4-wire SPI master/4-wire SPI slave	

BLOCK DIAGRAM



■ PIN ASSIGNMENTS (TOP VIEW)



■ PIN DEFINITIONS

➤ SoC Mode Condition:

Note: *INOUT* (digital bidirectional), *ANA*(analog pin), *DIG*(digital pin).

#	Pin Name	I/O	Ana/Dig	Function
1	GND	-	GND	GND
2	HW_RST_N	IN	DIG	Hardware reset pin; low active;
3	VBAT	-	PWR	Power Supply, 1.8V to 3.6V;
4	P0_3	OUT	DIG	LOG_UART_TX (default)
5	P3_1	INOUT	DIG	HCI_UART_RX (default) General purpose IO, 8mA driving capability; With wakeup function, internal strong/weak pull-up and pull-down;
6	P3_0	INOUT	DIG	HCI_UART_TX (default) General purpose IO, 8mA driving capability; With wakeup function, internal strong/weak pull-up and pull-down;



7	P2_2	INOUT	ANA/DIG	AUXADC input 2 (default) General purpose IO, 8mA driving capability; With wakeup function, internal strong/weak pull-up and pull-down;
8	P2_3	INOUT	ANA/DIG	AUXADC input 3 (default) General purpose IO, 8mA driving capability; With wakeup function, internal strong/weak pull-up and pull-down;
9	P2_4	INOUT	ANA/DIG	AUXADC input 4 (default) General purpose IO, 8mA driving capability; With wakeup function, internal strong/weak pull-up and pull-down;
10	P2_5	INOUT	ANA/DIG	AUXADC input 5 (default) General purpose IO, 8mA driving capability; With wakeup function, internal strong/weak pull-up and pull-down;
11	P2_6	INOUT	ANA/DIG	AUXADC input 6 (default) General purpose IO, 8mA driving capability; With wakeup function, internal strong/weak pull-up and pull-down;
12	P2_7	INOUT	ANA/DIG	AUXADC input 7 (default) General purpose IO, 8mA driving capability; With wakeup function, internal strong/weak pull-up and pull-down;
13	GND	-	GND	GND

➤ **UART AT Command Mode Condition:**

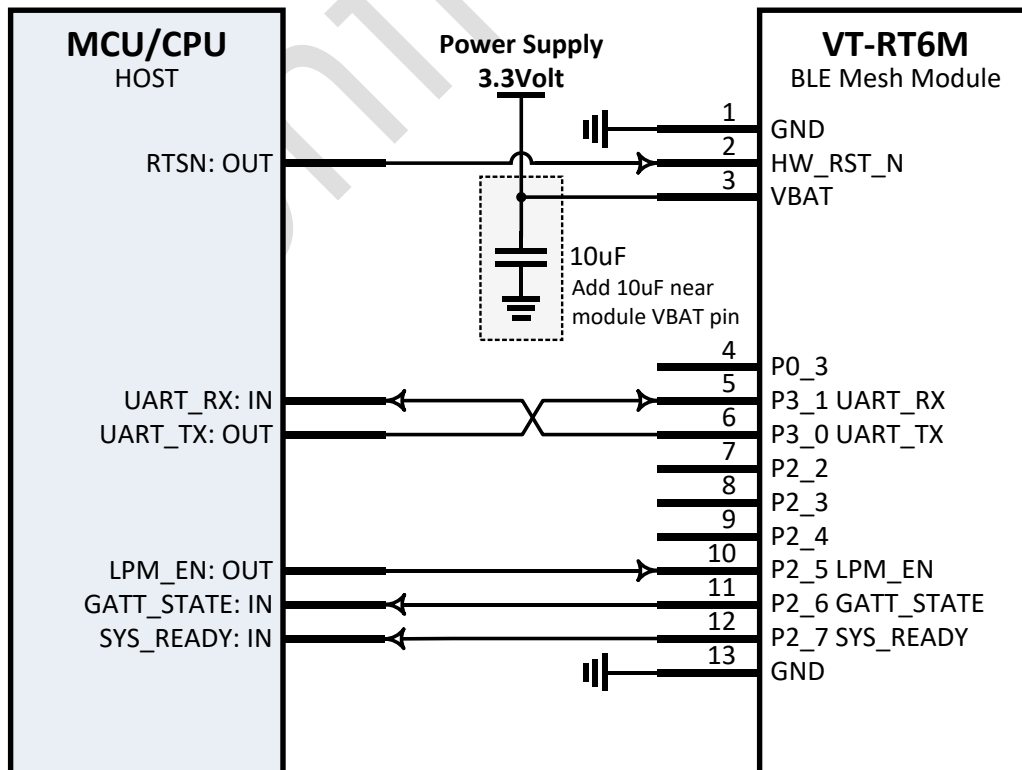
Note: ANA(analog pin), DIG(digital pin).

#	Pin Name	I/O	Ana/Dig	Function
1	GND	-	GND	GND
2	HW_RST_N	IN	DIG	Hardware reset pin; low active;
3	VBAT	-	PWR	Power Supply, 1.8V to 3.6V;
4	P0_3	OUT	DIG	LOG_UART_TX (default) for debugging purposed; Keep floating for general usage;
5	P3_1	IN	DIG	UART_RX; With weakly pull-high;
6	P3_0	OUT	DIG	UART_TX;

7	P2_2	IN	ANA	NC, keep floating for general usage; With weakly pull-low;
8	P2_3	IN	ANA	NC, keep floating for general usage; With weakly pull-low;
9	P2_4	IN	ANA	NC, keep floating for general usage; With weakly pull-low;
10	P2_5	IN	DIG	LPM_EN; Enable low power mode, high active; With weakly pull-low;
11	P2_6	OUT	DIG	GATT_STATE; Indication pin for GATT connection state; Output high when connected; Output low when disconnected;
12	P2_7	OUT	DIG	SYS_READY; indication pin for BLE stack ready; Output high when BLE stack ready; Output low when BLE stack not ready;
13	GND	-	GND	GND

■ APPLICATION EXAMPLE

UART AT Command Mode:





■ INTERFACE DESCRIPTIONS

● UART

VT-RT6M provides multiple UART baud-rate. The common baud-rate is shown in below table. **The UART clock error between two devices should be less than +/- 2.5%.**

VT-RT6M UART Features:

- Supports 7/8 data format.
- 1/2 bit stop bit.
- Configurable parity bit: odd/even.
- Programmable baud rate (maximum baud rate=4Mbps).
- Support hardware flow control.
- RX line idle state detect.
- DMA supported.

Baud-rate (bps)	Error (%)	Baud-rate (bps)	Error (%)
1200	-0.23	460800	0.17
9600	< 0.01	500000	< 0.01
14400	< 0.01	921600	0.18
19200	< 0.01	1000000	< 0.01
28800	< 0.01	1382400	0.17
38400	< 0.01	1444400	-0.31
57600	< 0.01	1500000	< 0.01
76800	0.01	1843200	-0.35
115200	< 0.01	2000000	0.02
128000	0.02	2764800	0.14
153600	-0.1	3000000	0.06
230400	0.03	4000000	0.03

Table: UART Baud Rate



■ ELECTRICAL CHARACTERISTICS

● Temperature Limit Ratings

Parameter	Description	Note	Min.	Typ.	Max.	Unit
T _{STORE}	Storage temperature		-55		125	°C
T _{AOP}	Operational Temperature		-30		85	°C

● Power Supply DC Characteristics

Parameter	Description	Note	Min.	Typ.	Max.	Unit
V _{BAT}	Supply Voltage		1.8	3	3.6	V

● ESD Characteristics

Parameter	Description	Note	Min.	Typ.	Max.	Unit
ESD _{HBM}	ESD, human body mode	All pins, test method: JESD22			3500	V
ESD _{MM}	ESD, machine mode	All pins, test method: JESD22			200	V
ESD _{CDM}	ESD, charged device mode	All pins, test method: JESD22			500	V

● 12bit-AUX ADC Characteristics

Parameter	Description	Note	Min.	Typ.	Max.	Unit
ADC _{BIT}	Resolution	Bypass mode		12		BITS
		Divided mode (1/3.3)		12		BITS
F _{CLK_ADC}	Clock Source	From digital			400	kHz
ADC _{DNL}	DNL	Single-ended mode (Bypass mode)		±1.5		LSB
		Differential mode (Bypass mode)		±3.0		LSB
ADC _{INL}	INL	Single-ended mode (Bypass mode)		±1.0		LSB
		Differential mode (Bypass mode)		±2.0		LSB
ADC _{VIN_RANGE}	Input Voltage Range	External channel (Divided Mode)	0		V _{BAT}	V
		External channel (Bypass Mode)	0		1	-
		Internal channel (V _{BAT})	1.8		3.63	V



ADC _{R_IN}	Input Impedance	Bypass mode		10M		Ohm
		Resistor divider mode (1/4)		500k		Ohm
ADC _{C_Sample}	Input Impedance	Bypass mode		1.9		pF
		Resistor divider mode (1/4)		1.9		pF

● Radio Characteristics

General Radio Characteristics

Parameter	Description	Note	Min.	Typ.	Max.	Unit
F _{RANGE}	Frequency range		2402		2480	MHz

RX Performance

Condition: V_{BAT}=3V, ambient temperature=25°C

Parameter	Description	Note	Min.	Typ.	Max.	Unit
P _{RX_MIN}	Sensitivity (LE 1M)	PER ≤ 30.8%	-97			dBm
P _{RX_MAX}	Maximum received power	PER ≤ 30.8%		-1		dBm
C _{IRX_1M}	C/I co-channel		21			dB
	C/I + 1MHz offset		15			dB
	C/I - 1MHz offset		15			dB
	C/I + 2MHz offset		-17			dB
	C/I - 2MHz offset		-15			dB
	C/I + 3MHz offset		-27			dB
	C/I image		-9			dB
	C/I image + 1MHz offset		-15			dB
	C/I image - 1MHz offset		-15			dB
P _{RX_OOB}	Blocker Power Wanted signal level= -67dBm	30MHz ~ 2000MHz	-30			dBm
		2003MHz ~ 2399MHz	-30			dBm
		2484MHz ~ 2997MHz	-30			dBm
		3000MHz ~ 12.75GHz	-30			dBm
PER _{MAX}	Max PER report integrity	Wanted signal= -30dBm		50%		-
P _{RX_IMD}	Max Intermodulation level	Wanted signal f(0) = -64dBm Worst intermodulation level @2f1-f2=f0, f1-f2 =n MHz, n=3,4,5...	-50			dBm



TX Performance

Condition: VBAT=3V, ambient temperature=25°C

Parameter	Description	Note	Min.	Typ.	Max.	Unit
P _{TX_MAX}	Maximum output power				8	dBm
P _{TX_ADJ}	Adjacent channel power ratio (LE 1M)	+2MHz			-20	dBm
		-2MHz			-20	dBm
		≥ +3MHz			-30	dBm
		≤ -3MHz			-30	dBm
F _{MOD}	Modulation Characteristics (LE 1M)	Δf1avg		250		kHz
		Δf2max	185			kHz
		Δf2max pass rate		100%		-
		Δf2avg / Δf1avg		0.88		-
F _{CAR_OFFSET}	Carrier frequency offset and drift (LE 1M)	Average Fn		12.5		kHz
		Drift rate		10		kHz/50μs
		Average drift		10		kHz/50μs
		Maximum drift		10		kHz/50μs
P _{TX_HD2}	2 nd harmonic power			-50		dBm
P _{TX_HD3}	3 rd harmonic power			-50		dBm

● Digital I/O Pin DC Characteristics

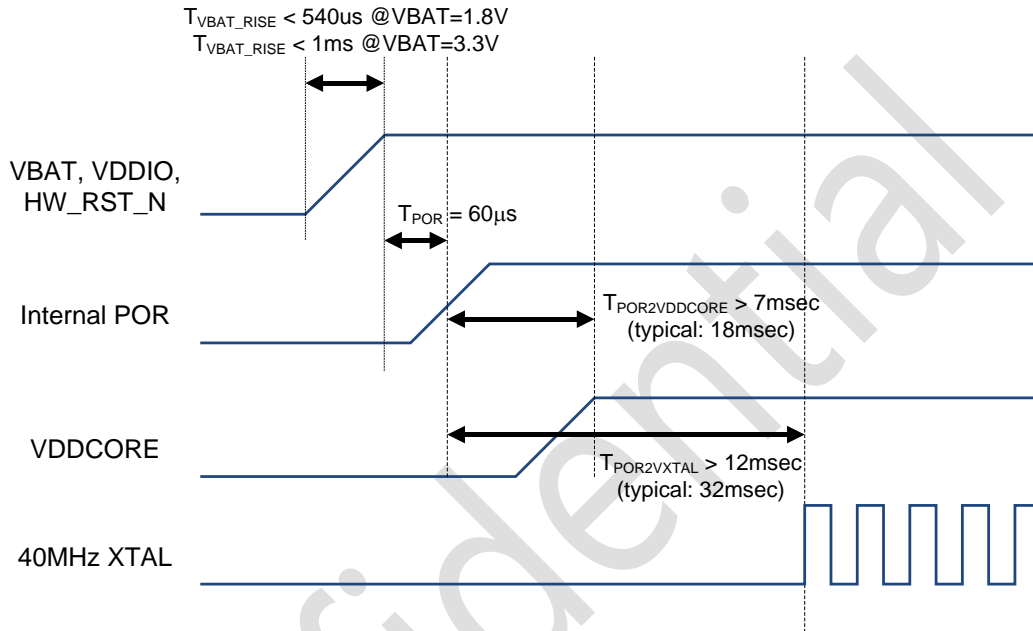
Condition: ambient temperature=25°C

Parameter	Description	Note	Min.	Typ.	Max.	Unit
V _{IH33}	Input high voltage	VDDIO=3.3V	2	3.3	3.6	V
V _{IL33}	Input low voltage			0	0.9	V
V _{OH33}	Output high voltage		2.97		3.3	V
V _{OL33}	Output low voltage		0		0.33	V
V _{IH28}	Input high voltage	VDDIO=2.8V	1.8	2.8	3.1	V
V _{IL28}	Input low voltage			0	0.8	V
V _{OH28}	Output high voltage		2.5			V
V _{OL28}	Output low voltage		0		0.28	V
R _{pull}	Strong Pull	VDDIO=3.3V		10		kOhm
		VDDIO=1.8V		20		kOhm
	Weak Pull	VDDIO=3.3V		100		kOhm
		VDDIO=1.8V		200		kOhm
	Strong Pull (P2_2~P2_7)	VDDIO=3.3V		5		kOhm
		VDDIO=1.8V		2.5		kOhm

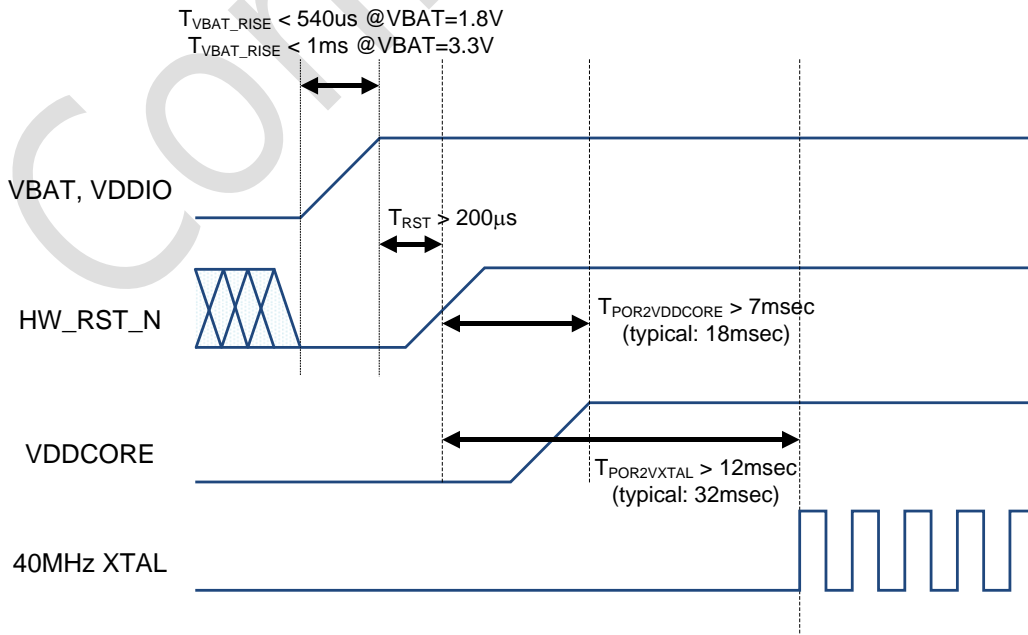
R_{pull}	Weak Pull (P2_2~P2_7)	VDDIO=3.3V	50	kOhm
		VDDIO=1.8V	25	kOhm
I_{IH}	Input high current	PAD configured as input mode	0.1	μA
I_{IL}	Input low current		0.1	μA

● Boot Sequence

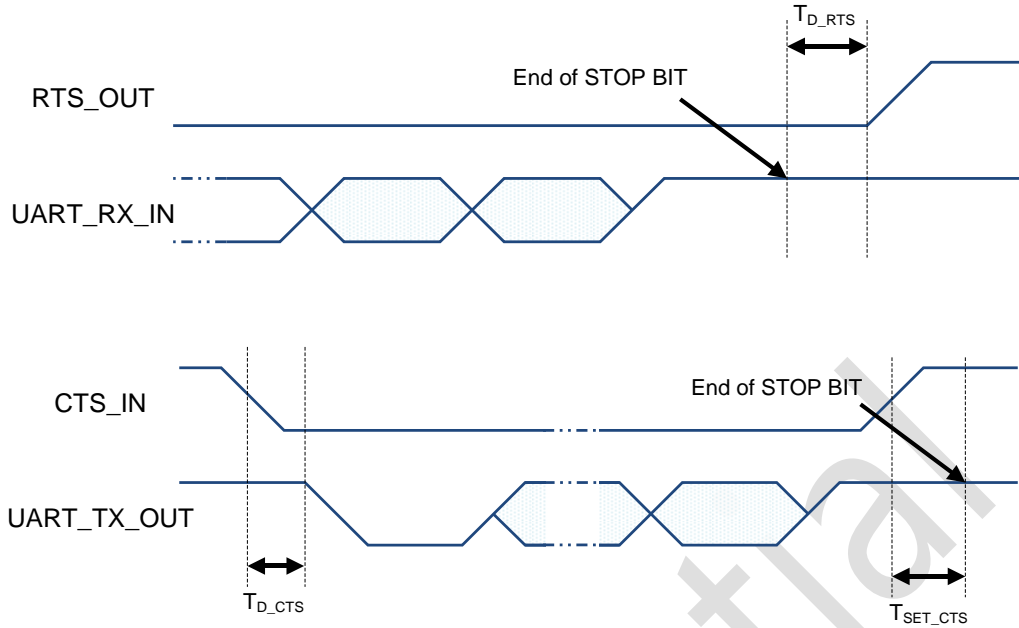
Boot up by internal power on reset circuit, power on timing is shown in below figure.



Boot up by HW_RST_N pin, power on timing is shown in below figure.

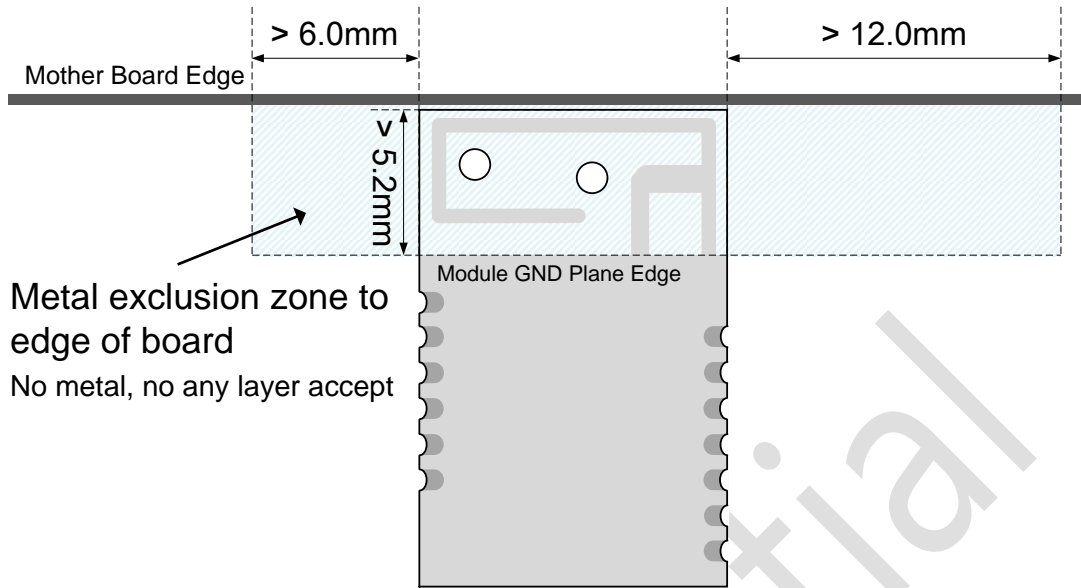


● UART Characteristics

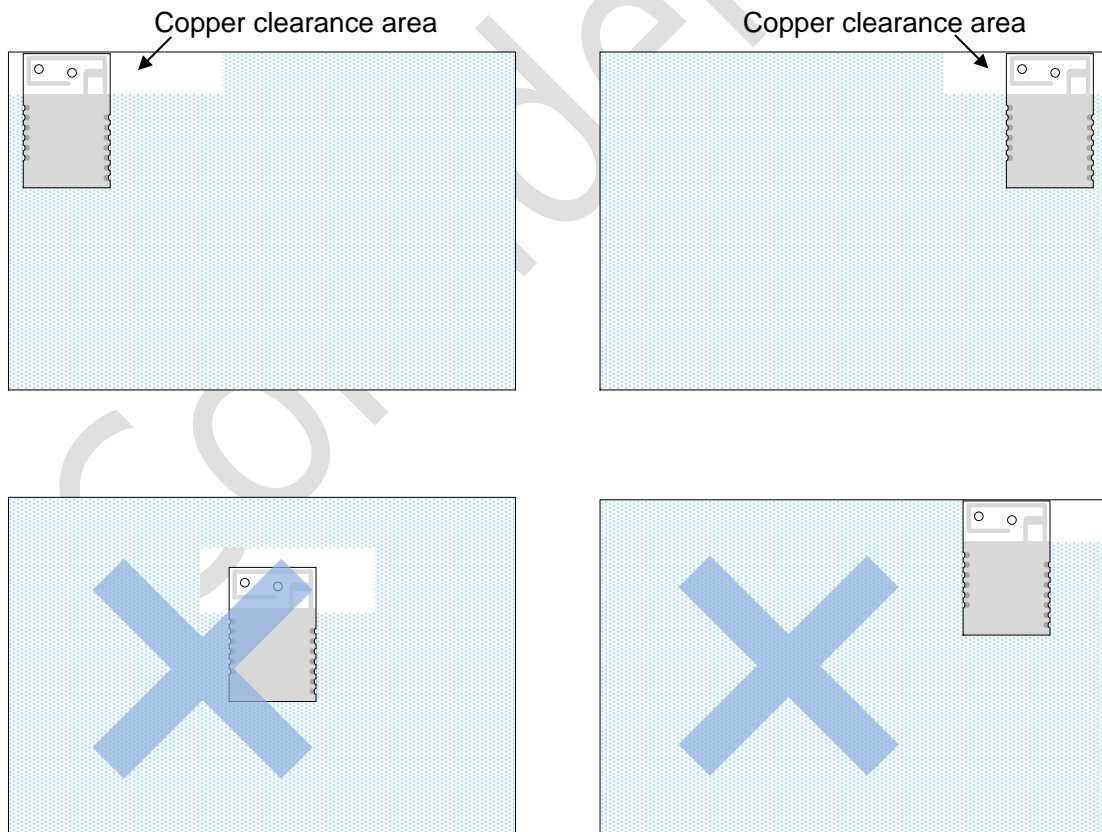


Parameter	Description	Note	Min.	Typ.	Max.	Unit
T_{D_RTS}	Timing between <code>UART_RX_IN</code> stop bit and <code>RTS</code> rising edge when RX FIFO is full				0.5	ns
T_{D_CTS}	Timing between <code>CTS</code> falling edge and <code>UART_TX_OUT</code> first bit				25	ns
T_{SET_CTS}	Timing between <code>CTS</code> rising edge and <code>UART_TX_OUT</code> stop bit		75			ns

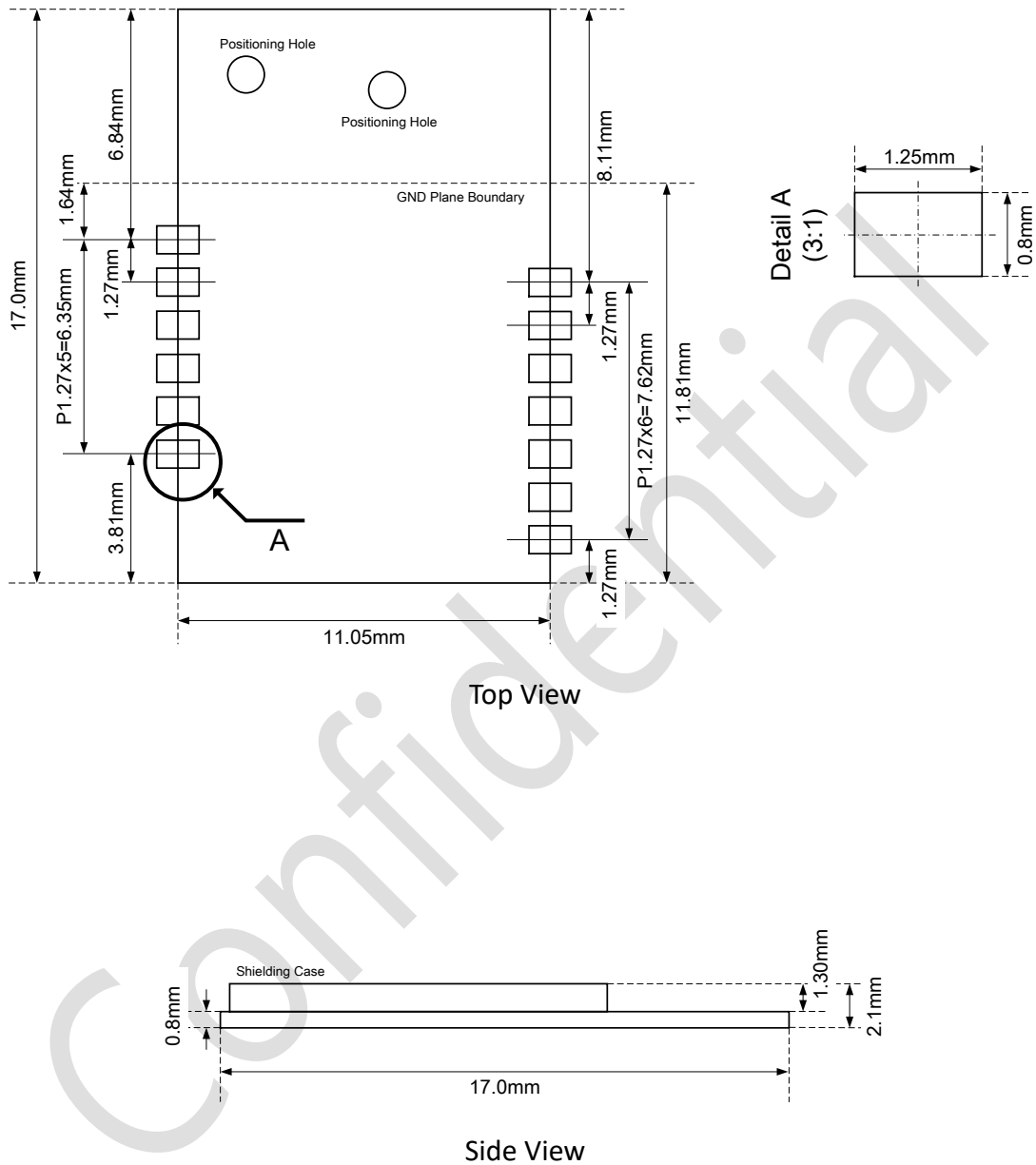
■ PCB LAYOUT GUIDE



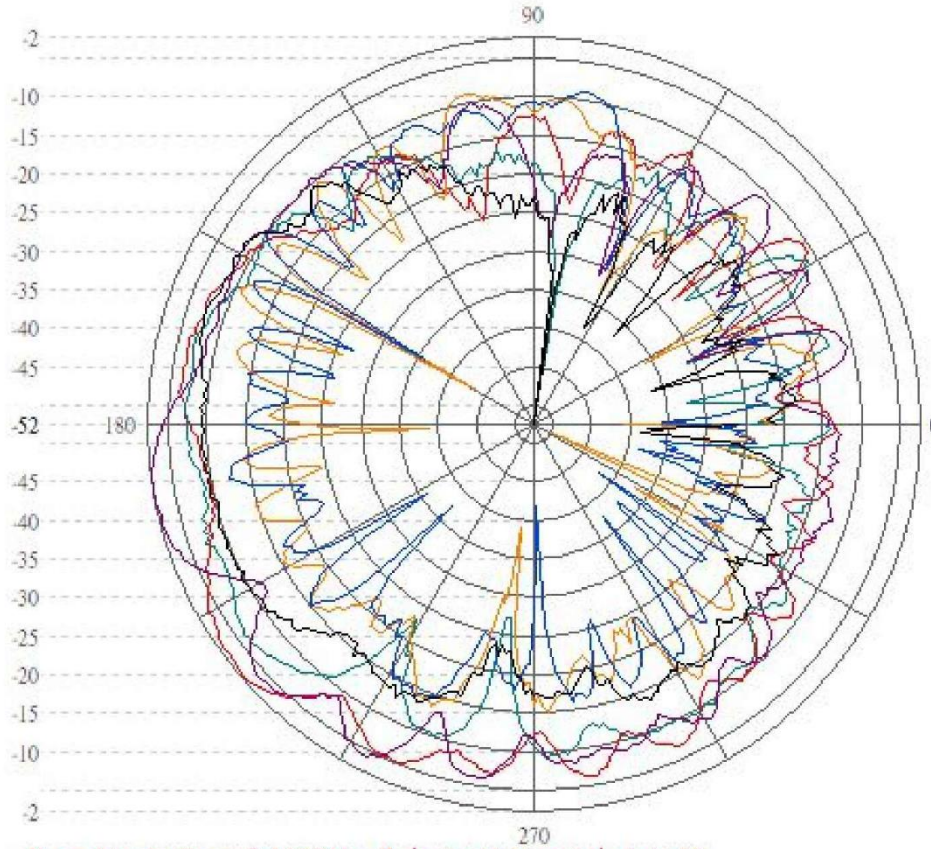
Module Placement Example:



MODULE DIMENSIONS



■ ANTENNA TEST REPORT



Page No: 5 ; Freq: 2.440GHz ; Polarity: Horizontal ; Axis: X ;

Page No: 6 ; Freq: 2.440GHz ; Polarity: Vertical ; Axis: X ;

Page No: 3 ; Freq: 2.440GHz ; Polarity: Horizontal ; Axis: Y ;

Page No: 4 ; Freq: 2.440GHz ; Polarity: Vertical ; Axis: Y ;

Page No: 7 ; Freq: 2.440GHz ; Polarity: Horizontal ; Axis: Z ;

Page No: 8 ; Freq: 2.440GHz ; Polarity: Vertical ; Axis: Z ;



BQB LISTING



Project Details

Project Name	VT-RT6M																		
Referenced Qualified Design(s)	194774																		
Listing Date	2024-01-09																		
Declaration ID	D066920																		
Product Listing(s)	<table><thead><tr><th>Name</th><th>Website</th><th>Category</th><th>Publish Date</th><th>Model Number</th><th>Description</th></tr></thead><tbody><tr><td>VT-RT6M</td><td></td><td>Unique Products</td><td>1/9/2024 12:00:00 AM</td><td>VT-RT6M</td><td>Bluetooth 5.3 Low Energy Module</td></tr><tr><td>VT-RT6MB</td><td></td><td>Unique Products</td><td>1/9/2024 12:00:00 AM</td><td>VT-RT6MB</td><td>Bluetooth 5.3 Low Energy Module</td></tr></tbody></table>	Name	Website	Category	Publish Date	Model Number	Description	VT-RT6M		Unique Products	1/9/2024 12:00:00 AM	VT-RT6M	Bluetooth 5.3 Low Energy Module	VT-RT6MB		Unique Products	1/9/2024 12:00:00 AM	VT-RT6MB	Bluetooth 5.3 Low Energy Module
Name	Website	Category	Publish Date	Model Number	Description														
VT-RT6M		Unique Products	1/9/2024 12:00:00 AM	VT-RT6M	Bluetooth 5.3 Low Energy Module														
VT-RT6MB		Unique Products	1/9/2024 12:00:00 AM	VT-RT6MB	Bluetooth 5.3 Low Energy Module														
Member Company	Mediawave																		
Declaring Member Contact / Listing Contact Person	<table><tr><td>Name</td><td>Tainder Yeh</td></tr><tr><td>Address</td><td>1F.,No.314,,Jhongsiao 1st rd., Toufen Township, Maoli County 351, Taiwan</td></tr><tr><td>City</td><td></td></tr><tr><td>State</td><td></td></tr><tr><td>Country</td><td>Taiwan</td></tr><tr><td>Postal Code</td><td></td></tr></table>	Name	Tainder Yeh	Address	1F.,No.314,,Jhongsiao 1st rd., Toufen Township, Maoli County 351, Taiwan	City		State		Country	Taiwan	Postal Code							
Name	Tainder Yeh																		
Address	1F.,No.314,,Jhongsiao 1st rd., Toufen Township, Maoli County 351, Taiwan																		
City																			
State																			
Country	Taiwan																		
Postal Code																			




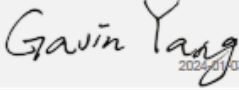

Complete the Project and Submit Product(s) for Qualification

By typing my name or other symbol of my signature into the "Signature" field below, I agree on behalf of Mediawave ("Company") to [Bluetooth Launch Studio Terms of Use](#), and I make the following representations and warranties personally and on behalf of Company. The following representations and warranties, together with all project information and the [Bluetooth Launch Studio Terms of Use](#), are the Supplier Declaration of Conformity and Declaration of Compliance described in the [Program Reference Document \(PRD\)](#) and [Declaration Process Document \(DPD\)](#).

- I am authorized by Company to submit all of the information included in this project and all information is complete and accurate.
- Company does not, by its governing documents or other applicable law, require more than one signatory, a stamp or seal, or a witnessed signature to be legally bound.
- I agree on behalf of Company to contract in English and electronically, and adopt the characters and symbols input in the signature field below as my signature, with the same effect as an ink signature.
- The products included in this project are owned and distributed by Company under a Product name that identifies Company as the source of the Product. Company has the right to use and reference all Qualified Designs referenced in the project, and the products and referenced Qualified Designs comply with the version of the Bluetooth Specification identified in the project submission.
- The product(s) included in this project and the corresponding Qualified Designs comply with the [Bluetooth Launch Studio Terms of Use](#).



■ BLUETOOTH RF TEST

  		Test Report No: 23C0680R-A336410010-A
<p>Bluetooth® Qualification Test Facility (BQTF) recognized by the Bluetooth SIG.</p>		
<h3>Bluetooth RF Test Report</h3>		
Identification of item	VT-RT6M · VT-RT6MB	
Trademark	MediaWave	
Model or type reference	VT-RT6M · VT-RT6MB	
Serial number	NA	
Final HW version	V1	
Final SW version	V1	
Manufacturer	Liansong Metal Products Factory A Building, Mapu'ao Industrial Area, Sanlian Village, Fenggang Town, Dongguan City, Guangdong Province, China.	
Test method requested	The testing on demand according to RF & RFPHY Test Specification	
Core Version	5.3	
Standard	RFPHY.TS.p20	
Test Spec Errata(s)	NA	
PICS	RFPHY.ICS.p8	
TCRL version	2023-1	
Test procedure(s)	C-EMW-06 Bluetooth RF and Low Energy RFPHY Conducted Testing	
Summary	IN COMPLIANCE	
Test Engineer	Gavin Yang	 2024-01-03
Approved by (name / position & signature)	Jimmy Chang Project Manager	 2024-01-03
Report Revision	01	
Date of issue	2024-01-03	



FCC CERTIFICATE



TCB

TCB

GRANT OF EQUIPMENT
AUTHORIZATION
Certification
Issued Under the Authority of the
Federal Communications Commission
By:

Telefication B.V.
Edisonstraat 12a
Zevenaar, NL-6902 PK
Netherlands

Date of Grant: 10/30/2020

Application
Dated: 10/29/2020

Mediawave Intelligent Communication LTD.
5F-1,NO81,Shuili Rd,East Dist
Hsinchu City, 300
Taiwan

Attention: TIEN DER YEH , C.T.O

NOT TRANSFERABLE

EQUIPMENT AUTHORIZATION is hereby issued to the named
GRANTEE, and is VALID ONLY for the equipment identified hereon for
use under the Commission's Rules and Regulations listed below.

FCC IDENTIFIER: 2AXKL-MWBTRT6M
Name of Grantee: Mediawave Intelligent Communication LTD.
Equipment Class: Digital Transmission System
Notes: Bluetooth module
Modular Type: Limited Single Modular

Grant Notes	FCC Rule Parts	Frequency Range (MHZ)	Output Watts	Frequency Emission Tolerance Designator
	15C	2402.0 - 2480.0	0.0024	

Modular Approval. Power output listed is conducted. This grant is valid only when the module is sold to OEM integrators and must be installed by the OEM or OEM integrators. The antennas used for this transmitter as shown in this filing must be installed to provide a separation distance of at least 20 cm from all persons and must not be co-located or operating in conjunction with any other antenna or transmitter. End-users may not be provided with the module installation instructions.OEM integrators and end-users must be provided with transmitter operating conditions for satisfying RF exposure compliance.

Certificate No.: 202180972/AA/00	Ramy Nabod Product Assessor	
-------------------------------------	--------------------------------	--



■ CE CERTIFICATE

Test Report Certification	
	Issued Date : Nov. 03, 2020 Report No. : 2090018R-E3032100003
Product Name	: Bluetooth module
Applicant	: Mediawave Intelligent Communication LTD.
Address	: 5F-1,NO81,Shuili Rd,East Dist,Hsinchu City 300,Taiwan(R.O.C.)
Manufacturer	: Liansong Metal Products Factory
Address	: A Building, Mapu'ao Industrial Area, Sanlian Village, Fenggang Town, Dongguan City, Guangdong Province,China.
Trade Name	: MediaWave
Model No.	: VT-RT6M
EUT Voltage	: DC 3.3V
Testing Voltage	: DC 3.3V
Applicable Standard	: ETSI EN 300 328 V2.2.2 (2019-07)
Laboratory Name	: Hsin Chu Laboratory
Address	: No.372-2, Sec. 4, Zhongxing Rd., Zhudong Township, Hsinchu County 310, Taiwan, R.O.C. TEL: +886-3-582-8001 / FAX: +886-3-582-8958
Test Result	: Complied
Documented By	: (Carol Tsai / Senior Engineering Adm. Specialist)
Tested By	: (Lion Wang / Engineer)
Approved By	: (Louis Hsu / Deputy Manager)

MIC CERTIFICATE

telefication bv
The Netherlands
Chamber of Commerce
51565536
www.telefication.com



Certificate

of
Radio Equipment in JAPAN

No: 201-200823 / 00

Telefication, operating as Conformity Assessment Body (CAB ID Number: 201) with respect to Japan, declares that the listed product complies with the Technical Regulations Conformity Certification of Specified Radio equipment (ordinance of MPT N° 37,1981)

Product description: **Bluetooth module**
Trademark: **MediaWave**
Type designation: **VT-RT6M**
Hardware / Software version: **V1 / V1**

Manufacturer: **Liansong Metal Products Factory**
Address: **A Building, Mapu'ao Industrial Area, Sanlian Village, Fenggang Town**
City: **Dongguan City, Guangdon**
Country: **China**

This certificate is granted to:

Name: **Mediawave Intelligent Communication LTD.**
Address: **5F-1,NO81,Shuili Rd,East Dist**
City: **300 Hsinchu**
Country: **Taiwan**

This certificate has THREE Annexes.

Zevenaar, 30 October 2020

CAB

David Chen

David Chen
Product Assessor



NCC CERTIFICATE

德凱認證股份有限公司 電信管制射頻器材型式認證證明

證照字號：型式字第 AH 號



- 一、申請者：名威智慧通訊有限公司
- 二、地址：新竹市東區千甲里水利路 81 號 5 樓
之一、之三
- 三、製造廠商：東莞市聯崧電子科技有限公司
- 四、器材名稱：Bluetooth module
- 五、廠牌：MediaWave
- 六、型號：VT-RT6M
- 七、發射功率(電場強度)：2402MHz~2480MHz; 3.78 dBm
- 八、工作頻率：同上述第七點
- 九、審驗日期：111 年 10 月 27 日
- 十、審驗合格標籤式樣：

CCAH22Y20030T0



- 十一、警語或標示要求：
- 於本體明顯處標示審驗合格標籤或符合性聲明標籤及其型號，並於包裝盒標示主管機關標章，始得公開陳列或販賣。最終產品應於本體明顯處標示非隨插即用射頻模組（組件）之審驗合格標籤及最終產品型號，並於包裝盒標示主管機關標章，始得公開陳列或販賣。
 - 請依主管機關或相關技術規範規定於指定位置標示正體中文警語。
 - 電信管制射頻器材內建螢幕或須連接螢幕始能操作者，第一點標籤、型號或正體中文警語標示得以螢幕顯示代之，並於包裝盒、使用手冊或說明書載明操作方式。
 - 於網際網路販賣電信管制射頻器材者，應於該網際網路網頁標示其型號及審驗合格標籤或符合性聲明標籤資訊。但最終產品得僅標示其型號及其組裝之非隨插即用射頻模組（組件）之審驗合格標籤資訊。
 - 以取得審驗證明之完全射頻模組（組件）組裝成完全最終產品後，取得該完全射頻模組（組件）之審驗證明者，應於該完全最終產品販賣前，檢附標註完全最終產品廠牌、型號及外觀照片之電子檔案，向原驗證機關（構）登錄。
 - 審驗合格標籤及符合性聲明標籤屬取得審驗證明者所有。
 - 取得型式認證證明或符合性聲明證明者得授權他人於同廠牌同型號之電信管制射頻器材或非隨插即用射頻模組（組件）使用審驗合格標籤