

RL62M01A

Bluetooth® Low Energy 5.0 Module

Data Sheet

Confidential



■ REVERSION HISTORY

Version Code	Date	Descriptions
0.1 BETA	12-Aug-20	Preliminary release
0.2 BETA	8-Oct-20	Update antenna and certification information
0.3 BETA	6-Nov-20	Update flash and ram information
0.4 BETA	7-May-21	Update module dimension
0.5BETA	1-Jun-21	Update RF and Safety Certification

■ INTRODUCTION

RL62M01A is an ultra-low-power SoC module for Bluetooth® 5.0 low energy applications that combines the excellent performance of a leading RF transceiver with a low-power ARM® Cortex-M4F. RL62M01A supports transport mode that user can easily develop BLE related applications. The RL62M01A also supports piconet which can connect one smart phone and three peripheral devices or connect 4 peripheral devices at the same time.

- Bluetooth® Core Spec v5.0 compliant
- Supports 2Mbps LE, LE advertising extension and LE long range
- Supports GAP, ATT/GATT, SMP, L2CAP
- Supports OTA (Over-the-Air) for firmware upgrade
- Battery Supply Voltage 1.8V to 3.6V
- Operational Temperature -30°C to +85°C
- Radio Bluetooth® Qualification (End Product, IC QDID: 154820)
- Meets Radio Certification FCC, CE, TELEC Japan, NCC
- Meets Safety Certification IEC/EN 62368-1
- Dimension: 11.05mm(W) x 17mm(L) x 2.3mm(H)
- Pb Free, RoHS Compliant

■ MODULE SPECIFICATIONS

<i>Specification Name</i>	<i>Descriptions</i>	
Module Dimension	11.05mm(W) x 17mm(L) x 2.3mm(H)	
BLE Core Compliant	V5.0	
Operation Distance	Up to 50 Meters (*LE 1M, apple to apple testing results)	
Power Supply	1.8V – 3.6V	
Power Consumption	Power Down Mode	450nA
	Deep LPS	2.5uA
	TX mode (+0dBm)	8.4mA
	TX mode (+4dBm)	10.4mA
	TX mode (+8dBm)	12.7mA
	RX mode	6.8mA
Antenna Type	Embedded PCB antenna	
GPIO Numbers:	Up to 10x (not including P0_3)	
PWM Numbers:	Up to 6x (P2_2 to P2_7)	
12bit ADC Numbers:	Up to 6x (P2_2 to P2_7)	

Flash Size/RAM Size:	2Mbits/160KB	
Support interfaces	UART	Max. baud rate 4Mbps
	4-wire SPI	Master/Slave, Clock Max. 20MHz
	I2C	Master/Slave, Speed: 0 ~ 400KHz
	I ² S	Master/Slave, Support mono, stereo
	IR transceiver	IR Transmitter: (Programmable IR carrier 10k~60kHz) IR Receiver: (Programmable sample clock max. 40MHz)

Table 1

■ **BLOCK DIAGRAM**

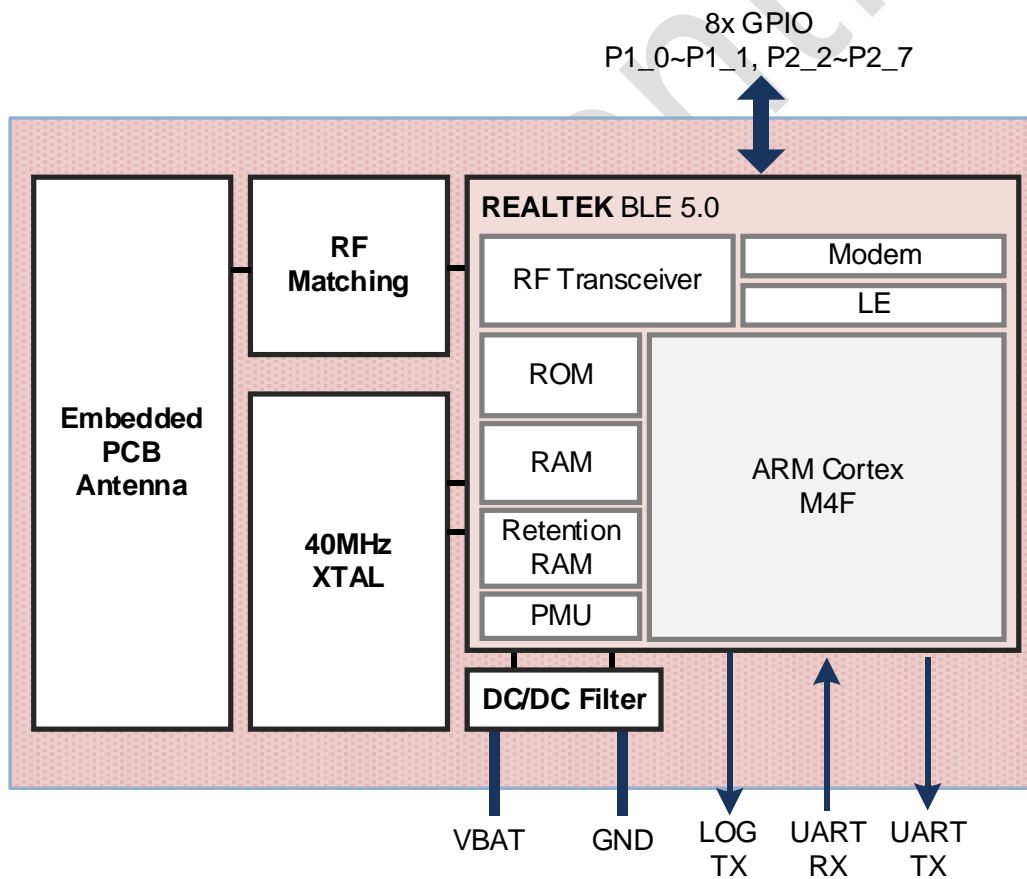


Figure 1

PIN ASSIGNMENTS (TOP VIEW)

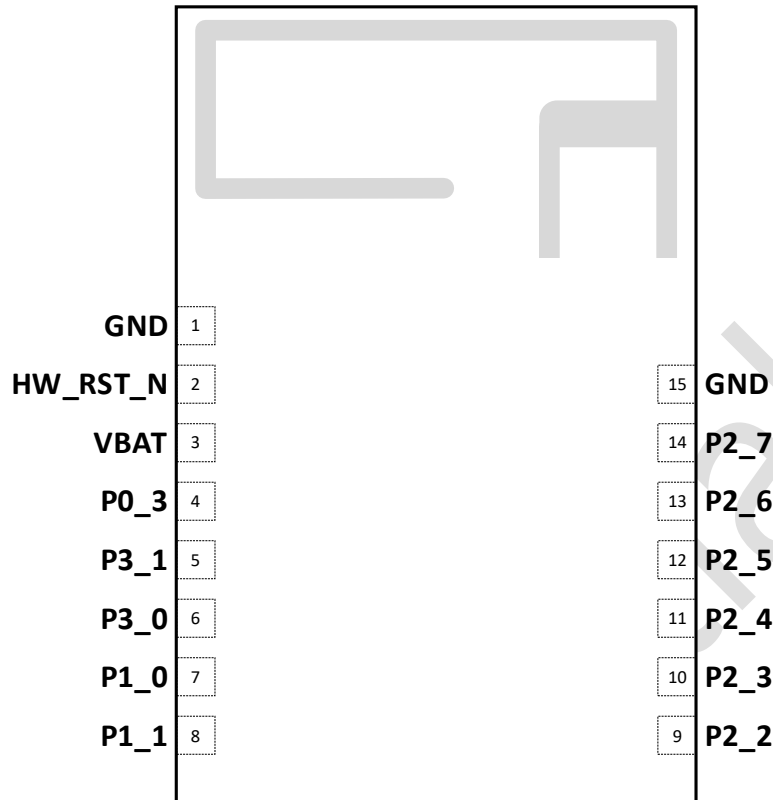


Figure 2

PIN DEFINITIONS

* *IN/OUT* (digital bidirectional), *A*(analog pin), *D*(digital pin), *P*(power).

Pin	Pin Symbol	Type	A/D/P	Description
1	GND	-	-	GND
2	HW_RST_N	IN	D	Hardware reset pin; Low active;
3	VBAT	-	P	Power Supply, 1.8V to 3.6V;
4	PO_3	OUT	D	LOG_UART_TX (default)
5	P3_1	IN/OUT	D	HCI_UART_RX (default) General purpose IO, 8mA driving capability; With wakeup function, internal strong/weak pull-up and pull-down;
6	P3_0	IN/OUT	D	HCI_UART_TX (default) General purpose IO, 8mA driving capability; With wakeup function, With internal strong/weak pull-up and pull-down;

7	P1_0	IN/OUT	D	SWDIO (default) General purpose IO, 8mA driving capability; With wakeup function, With internal strong/weak pull-up and pull-down;
8	P1_1	IN/OUT	D	SWDCLK (default) General purpose IO, 8mA driving capability; With wakeup function; With internal strong/weak pull-up and pull-down;
9	P2_2	IN/OUT	A/D	AUXADC input 2 (default) General purpose IO, 8mA driving capability; With wakeup function; With internal strong/weak pull-up and pull-down;
10	P2_3	IN/OUT	A/D	AUXADC input 3 (default) General purpose IO, 8mA driving capability; With wakeup function; With internal strong/weak pull-up and pull-down;
11	P2_4	IN/OUT	A/D	AUXADC input 4 (default) General purpose IO, 8mA driving capability; With wakeup function; With internal strong/weak pull-up and pull-down;
12	P2_5	IN/OUT	A/D	AUXADC input 5 (default) General purpose IO, 8mA driving capability; With wakeup function; With internal strong/weak pull-up and pull-down;
13	P2_6	IN/OUT	A/D	AUXADC input 6 (default) General purpose IO, 8mA driving capability; With wakeup function; With internal strong/weak pull-up and pull-down;
14	P2_7	IN/OUT	A/D	AUXADC input 7 (default) General purpose IO, 8mA driving capability; With wakeup function; With internal strong/weak pull-up and pull-down;
15	GND	-	-	GND

Table 2

■ INTERFACE DESCRIPTIONS

● UART

RL62M01A provides multiple UART baud-rate. The common baud-rate is shown in below table. **The UART clock error between two devices should be less than +/- 2.5%.**

RL62M01A UART Features:

- Supports 7/8 data format.
- 1/2 bit stop bit.
- Configurable parity bit: odd/even.
- Programmable baud rate (maximum baud rate=4Mbps).
- Support hardware flow control.
- RX line idle state detect.
- DMA supported.

BaudRate (bps)	Error (%)	BaudRate (bps)	Error (%)
1200	-0.23	460800	0.17
9600	< 0.01	500000	< 0.01
14400	< 0.01	921600	0.18
19200	< 0.01	1000000	< 0.01
28800	< 0.01	1382400	0.17
38400	< 0.01	1444400	-0.31
57600	< 0.01	1500000	< 0.01
76800	0.01	1843200	-0.35
115200	< 0.01	2000000	0.02
128000	0.02	2764800	0.14
153600	-0.1	3000000	0.06
230400	0.03	4000000	0.03

Table 3: UART Baud Rate

■ ELECTRICAL CHARACTERISTICS

● Temperature Limit Ratings

Parameter	Description	Note	Min.	Typ.	Max.	Unit
T _{STORE}	Storage temperature		-45		100	°C
T _{AOP}	Operational Temperature		-30		85	°C

Table 4

● Power Supply DC Characteristics

Parameter	Description	Note	Min.	Typ.	Max.	Unit
V _{BAT}	Supply Voltage		1.8	3	3.6	V

Table 5

● ESD Characteristics

Parameter	Description	Note	Min.	Typ.	Max.	Unit
ESD _{HBM}	ESD, human body mode	All pins, test method: JESD22			3500	V
ESD _{MM}	ESD, machine mode	All pins, test method: JESD22			200	V
ESD _{CDM}	ESD, charged device mode	All pins, test method: JESD22			500	V

Table 6

● 12bit-AUX ADC Characteristics

Parameter	Description	Note	Min.	Typ.	Max.	Unit
ADC _{BIT}	Resolution	Bypass mode		12		BITS
		Divided mode (1/3.3)		12		BITS
F _{CLK_ADC}	Clock Source	From digital			400	kHz
ADC _{DNL}	DNL	Single-ended mode (Bypass mode)		±1.5		LSB
		Differential mode (Bypass mode)		±3.0		LSB
ADC _{INL}	INL	Single-ended mode (Bypass mode)		±1.0		LSB
		Differential mode (Bypass mode)		±2.0		LSB
ADC _{VIN_RANGE}	Input Voltage Range	External channel (Divided Mode)	0		V _{BAT}	V
		External channel	0		1	-

		(Bypass Mode)				
		Internal channel (VBAT)	1.8		3.63	V
ADC _{R_IN}	Input Impedance	Bypass mode		10M		Ohm
		Resistor divider mode (1/4)		500k		Ohm
ADC _{C_Sample}	Input Impedance	Bypass mode		1.9		pF
		Resistor divider mode (1/4)		1.9		pF

Table 7

● Radio Characteristics

General Radio Characteristics

Parameter	Description	Note	Min.	Typ.	Max.	Unit
F _{RANGE}	Frequency range		2402		2480	MHz

Table 8

RX Performance

Condition: VBAT=3V, ambient temperature=25°C

Parameter	Description	Note	Min.	Typ.	Max.	Unit
P _{RX_MIN}	Sensitivity (LE 1M)	PER ≤ 30.8%	-97			dBm
P _{RX_MAX}	Maximum received power	PER ≤ 30.8%		-1		dBm
C _{IRX_1M}	C/I co-channel		21			dB
	C/I + 1MHz offset		15			dB
	C/I - 1MHz offset		15			dB
	C/I + 2MHz offset		-17			dB
	C/I - 2MHz offset		-15			dB
	C/I + 3MHz offset		-27			dB
	C/I image		-9			dB
	C/I image + 1MHz offset		-15			dB
	C/I image - 1MHz offset		-15			dB
C _{IRX_2M}	C/I co-channel		21			dB
	C/I + 2MHz offset		15			dB
	C/I - 2MHz offset		15			dB
	C/I + 4MHz offset		-17			dB
	C/I - 4MHz offset		-15			dB
	C/I + 6MHz offset		-27			dB
	C/I image		-9			dB

	C/I image + 2MHz offset		-15			dB
	C/I image - 2MHz offset		-15			dB
P _{RX_OOB}	Blocker Power Wanted signal level= -67dBm	30MHz ~ 2000MHz	-30			dBm
		2003MHz ~ 2399MHz	-30			dBm
		2484MHz ~ 2997MHz	-30			dBm
		3000MHz ~ 12.75GHz	-30			dBm
PER _{MAX}	Max PER report integrity	Wanted signal= -30dBm		50%		-
P _{RX_IMD}	Max Intermodulation level	Wanted signal f(0) = -64dBm Worst intermodulation level @2f1-f2=f0, f1-f2 =n MHz, n=3,4,5...	-50			dBm

Table 9

TX Performance

Condition: VBAT=3V, ambient temperature=25°C

Parameter	Description	Note	Min.	Typ.	Max.	Unit	
P _{TX_MAX}	Maximum output power				8	dBm	
P _{TX_ADJ}	Adjacent channel power ratio (LE 1M)	+2MHz			-20	dBm	
		-2MHz			-20	dBm	
		≥ +3MHz			-30	dBm	
		≤ -3MHz			-30	dBm	
P _{TX_ADJ}	Adjacent channel power ratio (LE 2M)	+4MHz			-20	dBm	
		-4MHz			-20	dBm	
		≥ +6MHz			-30	dBm	
		≤ -6MHz			-30	dBm	
F _{MOD}	Modulation Characteristics (LE 1M)	Δf1avg		250		kHz	
		Δf2max	185			kHz	
		Δf2max pass rate		100%		-	
	Modulation Characteristics (LE 2M)	Δf2avg / Δf1avg		0.88			-
		Δf1avg		500			kHz
		Δf2max	370				kHz
F _{CAR_OFFSET}	Carrier frequency offset and drift (LE 1M)	Average Fn		12.5		kHz	
		Drift rate		10		kHz/50μs	
		Average drift		10		kHz/50μs	
		Maximum drift		10		kHz/50μs	

	Carrier frequency offset and drift (LE 2M)	Average Fn	12.5	kHz
		Drift rate	10	kHz/50 μ s
		Average drift	10	kHz/50 μ s
		Maximum drift	10	kHz/50 μ s
P _{TX_HD2}	2 nd harmonic power		-50	dBm
P _{TX_HD3}	3 rd harmonic power		-50	dBm

Table 10

● Digital I/O Pin DC Characteristics

Condition: ambient temperature=25°C

Parameter	Description	Note	Min.	Typ.	Max.	Unit
V _{IH33}	Input high voltage	VDDIO=3.3V	2	3.3	3.6	V
V _{IL33}	Input low voltage		0	0.9	V	
V _{OH33}	Output high voltage		2.97	3.3	V	
V _{OL33}	Output low voltage		0	0.33	V	
V _{IH28}	Input high voltage	VDDIO=2.8V	1.8	2.8	3.1	V
V _{IL28}	Input low voltage		0	0.8	V	
V _{OH28}	Output high voltage		2.5	V		
V _{OL28}	Output low voltage		0	0.28	V	
R _{pull}	Strong Pull	VDDIO=3.3V		10		kOhm
		VDDIO=1.8V		20		kOhm
	Weak Pull	VDDIO=3.3V		100		kOhm
		VDDIO=1.8V		200		kOhm
	Strong Pull (P2_2~P2_7)	VDDIO=3.3V		5		kOhm
		VDDIO=1.8V		2.5		kOhm
	Weak Pull (P2_2~P2_7)	VDDIO=3.3V		50		kOhm
		VDDIO=1.8V		25		kOhm
I _{IH}	Input high current	PAD configured as input mode			0.1	μ A
I _{IL}	Input low current				0.1	μ A

Table 11

● **Boot Sequence**

Boot up by internal power on reset circuit, power on timing is shown in below figure.

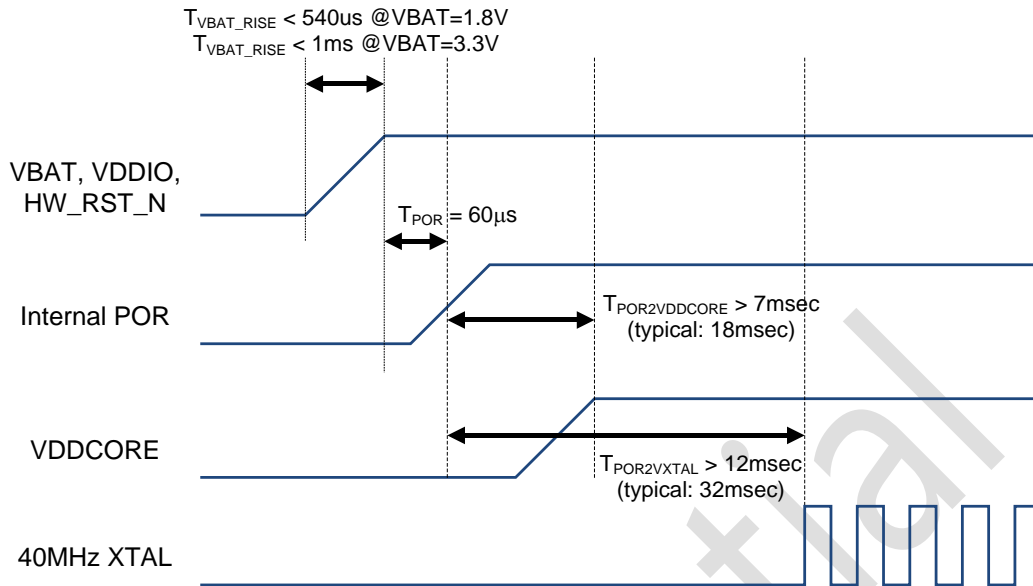


Figure 3

Boot up by HW_RST_N pin, power on timing is shown in below figure.

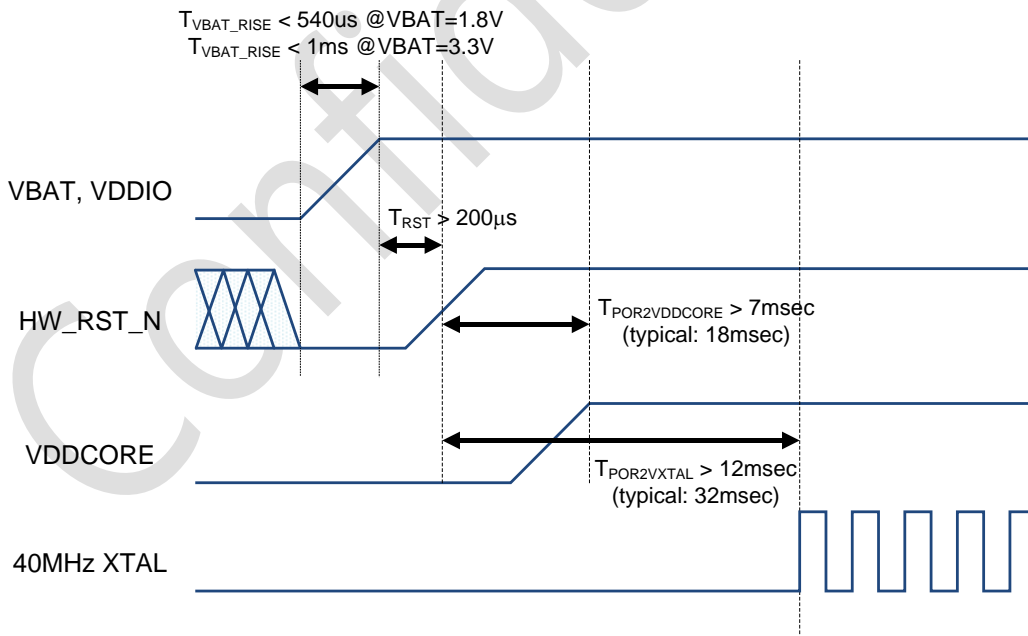


Figure 4

● **UART Characteristics**

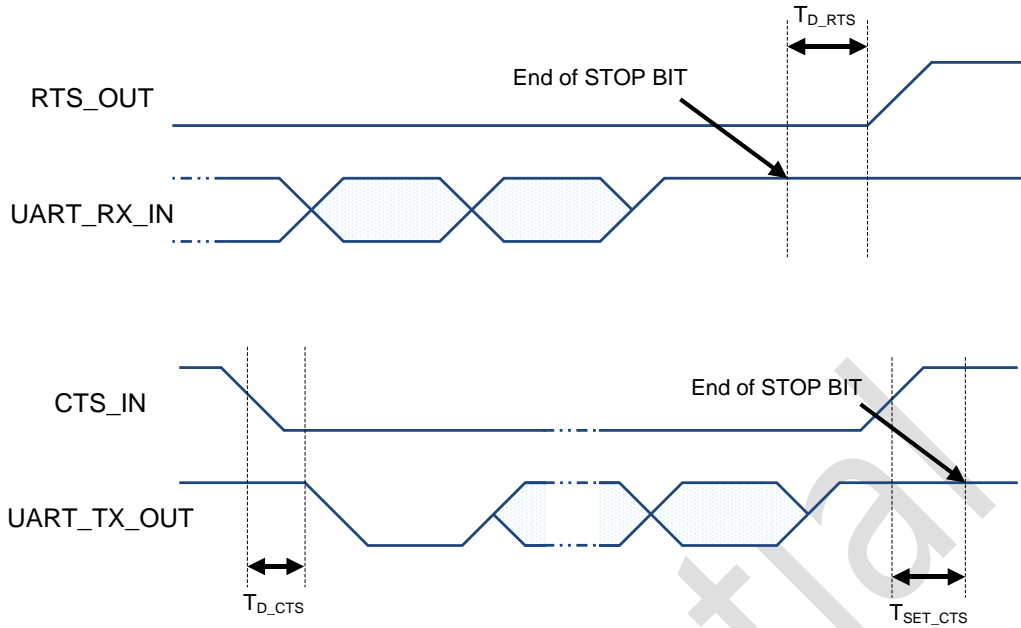


Figure 5

Parameter	Description	Note	Min.	Typ.	Max.	Unit
T_{D_RTS}	Timing between UART_RX_IN stop bit and RTS rising edge when RX FIFO is full				0.5	ns
T_{D_CTS}	Timing between CTS falling edge and UART_TX_OUT first bit				25	ns
T_{SET_CTS}	Timing between CTS rising edge and UART_TX_OUT stop bit		75			ns

Table 12

PCB LAYOUT GUIDE

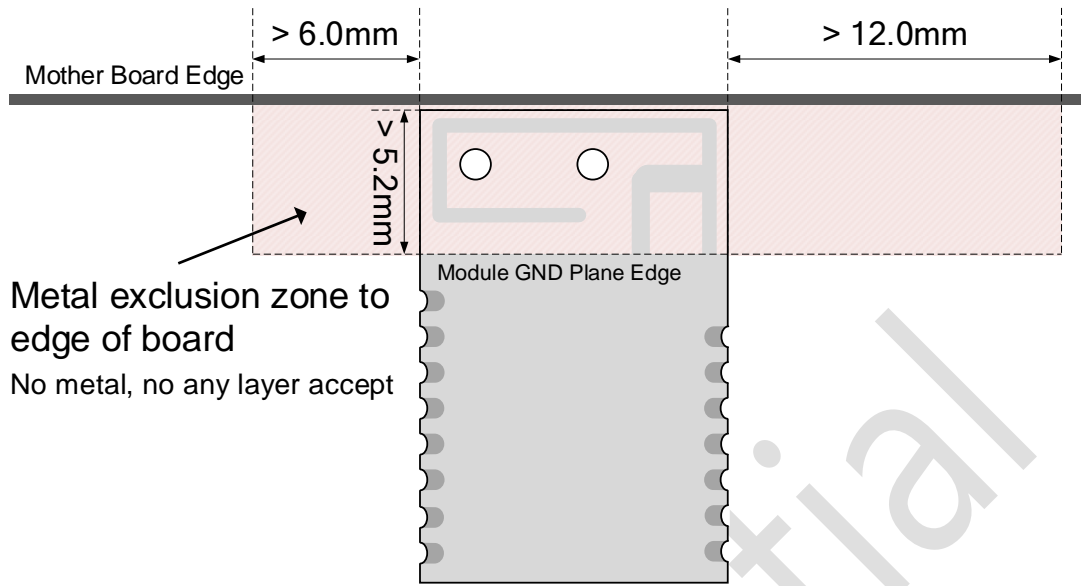


Figure 6

Module Placement Example:

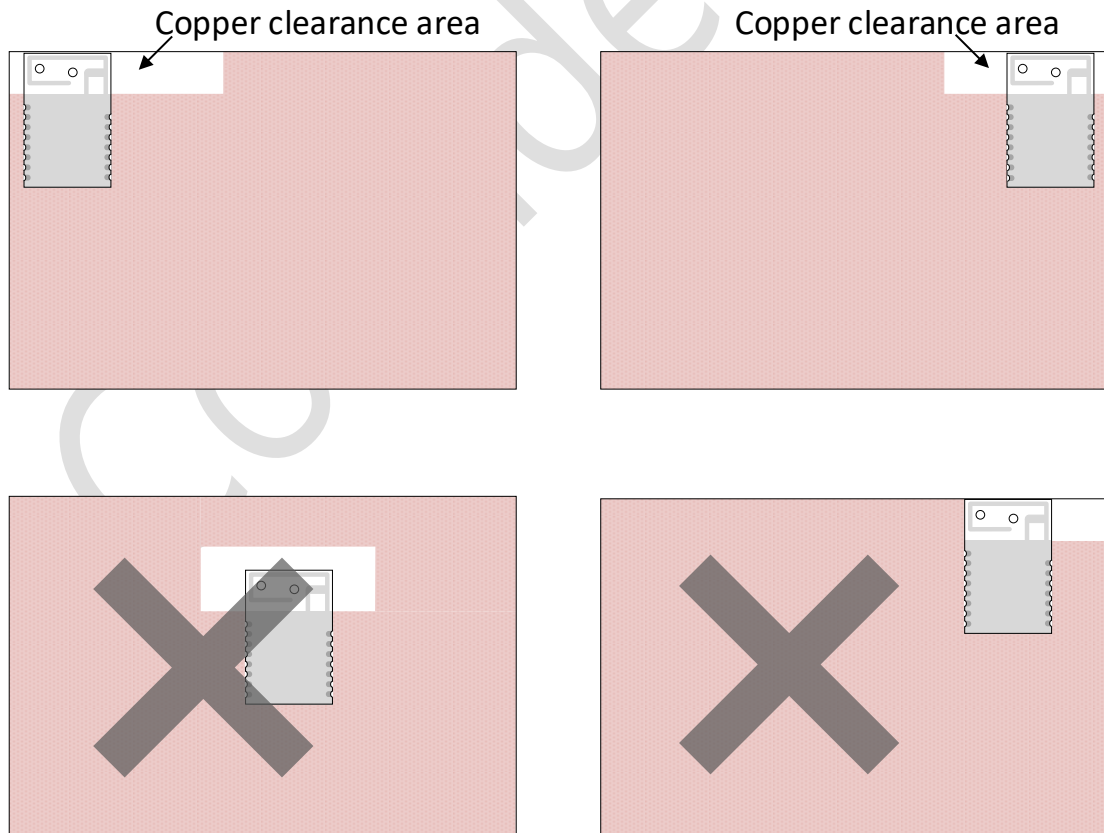
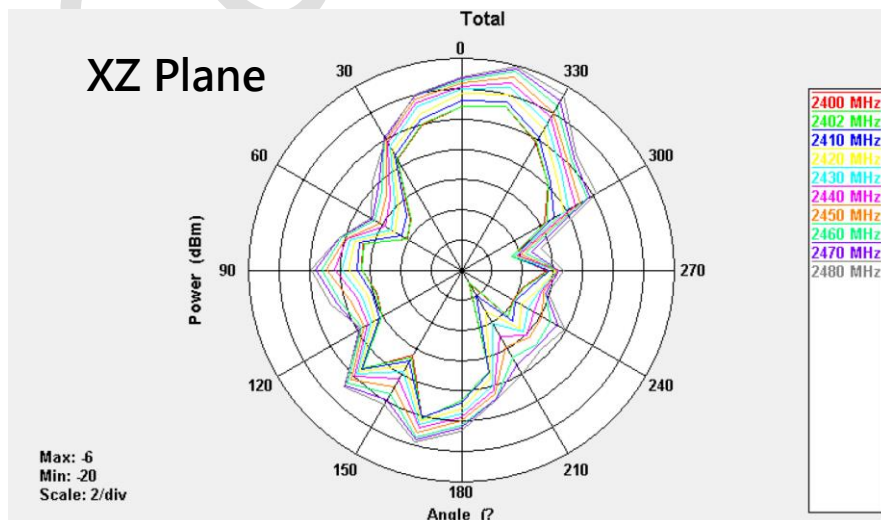
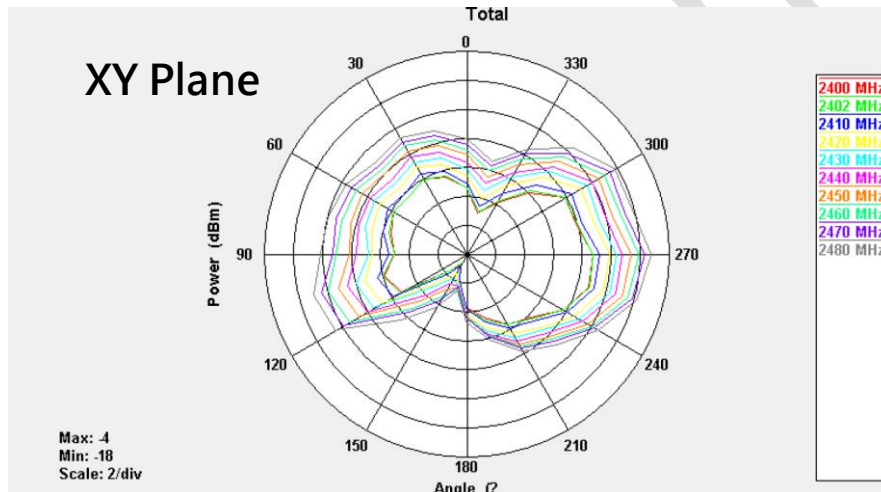


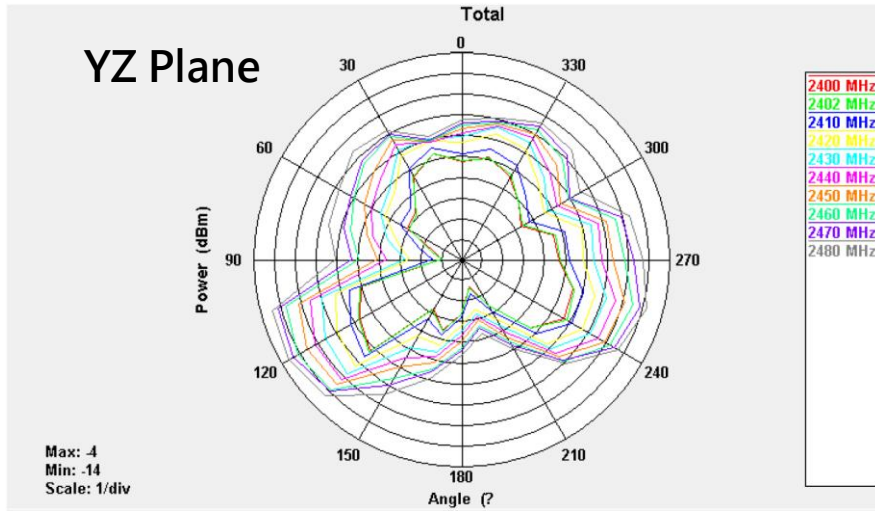
Figure 7

ANTENNA CHARACTERISTICS

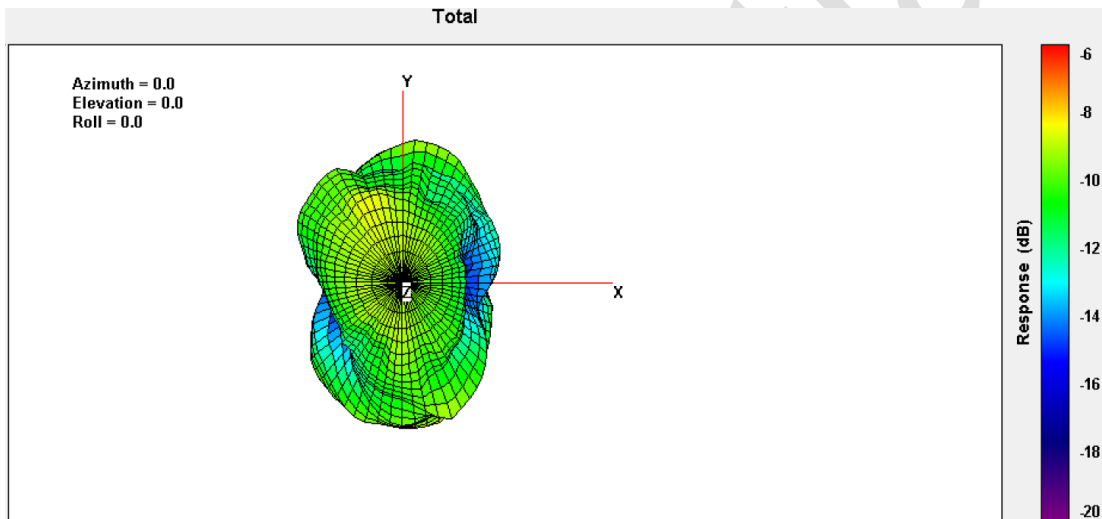
Frequency (MHz)	2400	2402	2410	2420	2430	2440	2450	2460	2470	2480
Point Values										
Ant. Port Input Pwr. (dBm)	0.00	0.00	0.00	0.00	0.00	0.00	0.00	0.00	0.00	0.00
Tot. Rad. Pwr. (dBm)	-11.40	-11.34	-10.98	-10.32	-9.89	-9.49	-9.11	-8.69	-8.44	-8.11
Peak EIRP (dBm)	-7.60	-7.50	-7.21	-6.48	-6.02	-5.56	-5.07	-4.64	-4.40	-4.14
Directivity (dBi)	3.80	3.85	3.76	3.85	3.87	3.93	4.04	4.05	4.04	3.97
Efficiency (dB)	-11.40	-11.34	-10.98	-10.32	-9.89	-9.49	-9.11	-8.69	-8.44	-8.11
Efficiency (%)	7.25	7.34	7.99	9.29	10.25	11.24	12.29	13.52	14.31	15.45
Gain (dBi)	-7.60	-7.50	-7.21	-6.48	-6.02	-5.56	-5.07	-4.64	-4.40	-4.14
NHPRP $\pm\pi/4$ (dBm)	-13.13	-13.07	-12.69	-12.02	-11.56	-11.13	-10.71	-10.27	-10.00	-9.64
NHPRP $\pm\pi/6$ (dBm)	-14.94	-14.88	-14.48	-13.80	-13.32	-12.88	-12.44	-11.97	-11.66	-11.29
NHPRP $\pm\pi/8$ (dBm)	-16.25	-16.19	-15.79	-15.10	-14.63	-14.19	-13.73	-13.25	-12.92	-12.53
Upper Hem. PRP (dBm)	-14.65	-14.60	-14.20	-13.49	-13.10	-12.72	-12.38	-11.97	-11.74	-11.36
Lower Hem. PRP (dBm)	-14.19	-14.13	-13.78	-13.18	-12.71	-12.29	-11.87	-11.44	-11.19	-10.89

2D Radiation Pattern

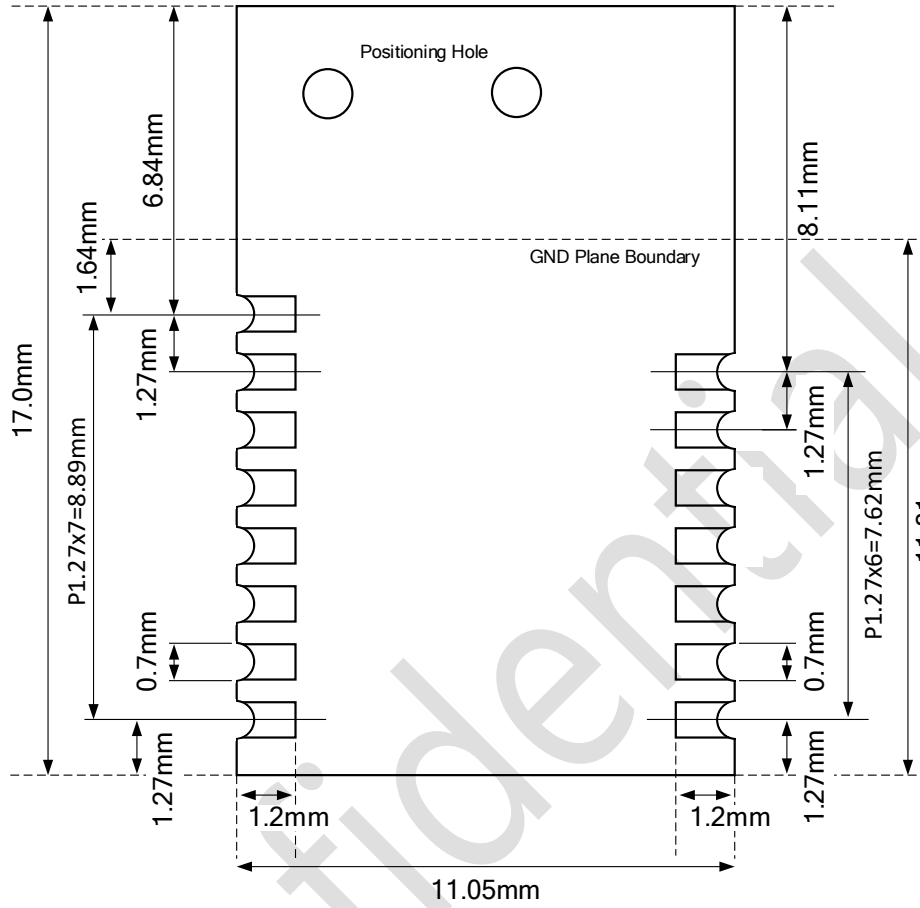




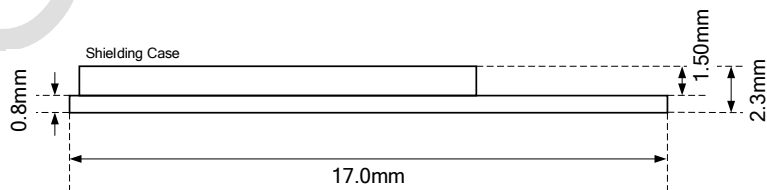
● **3D Radiation Pattern**



MODULE DIMENSIONS



Top View



Side View

■ **CERTIFICATION**

● **FCC Certificate**

TCB

**GRANT OF EQUIPMENT
AUTHORIZATION**

TCB

Certification
Issued Under the Authority of the
Federal Communications Commission
By:

Eurofins Product Service GmbH
Storkower Strasse 38c
D-15526 Reichenwalde,
Germany

Date of Grant: 09/30/2020
Application Dated: 09/30/2020

Richlink Technology Co., Ltd.
14F-6, No.2, Xinhe Rd.,
Zhubei City, Hsinchu County, 302
Taiwan

Attention: Darren Chao

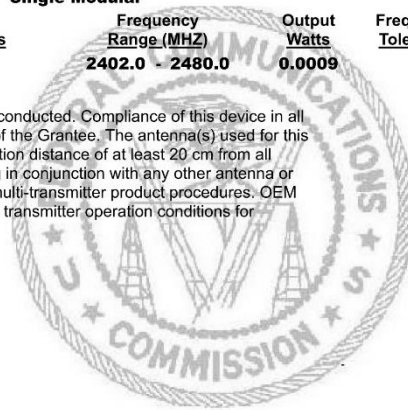
NOT TRANSFERABLE

EQUIPMENT AUTHORIZATION is hereby issued to the named GRANTEE, and is VALID ONLY for the equipment identified hereon for use under the Commission's Rules and Regulations listed below.


FCC IDENTIFIER: 2AX1J-RL62M
Name of Grantee: Richlink Technology Co., Ltd.
Equipment Class: Digital Transmission System
Notes: BLE 5.0 Module
Modular Type: Single Modular

<u>Grant Notes</u>	<u>FCC Rule Parts</u>	<u>Frequency Range (MHZ)</u>	<u>Output Watts</u>	<u>Frequency Tolerance</u>	<u>Emission Designator</u>
	15C	2402.0 - 2480.0	0.0009		

Single modular approval. Output power listed is conducted. Compliance of this device in all final product configurations is the responsibility of the Grantee. The antenna(s) used for this transmitter must be installed to provide a separation distance of at least 20 cm from all persons and must not be co-located or operating in conjunction with any other antenna or transmitter except in accordance with the FCC multi-transmitter product procedures. OEM integrators and end-users must be provided with transmitter operation conditions for satisfying RF exposure compliance.



● CE Certificate



Worldwide Testing Services (Taiwan) Co., Ltd.
ACCREDITED TEST HOUSE

CERTIFICATION OF TESTING
Under EU RED - DIRECTIVE 2014/53/EU -

This certifies that the following designated product

BLE 5.0 Module
Model No.: RL62M01A
Brand Name: Richlink

.....
(Product identification)

Has been tested in accordance to essential protection requirements of the RED - DIRECTIVE 2014/53/EU on the approximation of the laws of the Member States relating to *Radio Spectrum Matters* and found the test results indeed meet the limitation of the relevant test standard(s) listed below:

Radio Spectrum
EN 300 328: V2.2.2 : 2019-07



.....
(Identification of regulations / standards)

This certificate is issued for


Richlink Technology Co., Ltd.
14F.-6, No.2, Xinhe Rd., Zhubei City, Hsinchu County 302, Taiwan (R.O.C.)

.....
(Name / Address)

SPECIAL STATEMENT:
THE CONFIRMATION IS VALID ONLY IF THE PRODUCT IS MANUFACTURED IN ACCORDANCE WITH THE TEST REPORT NO. W6M22008-20164-T-45 AND TO THE SAMPLE HAS BEEN TESTED BY WORLDWIDE TESTING SERVICES (TAIWAN) CO., LTD..

September 21, 2020
.....
(Date)


.....
Rex Kao, Laboratory Director

Worldwide Testing Services (Taiwan) Co., Ltd.
6F, NO. 58, LANE 188, RUEY-KUANG RD., NEIHU, TAIPEI 114, TAIWAN, R.O.C.

● **TELEC Certificate**

telefication bv
The Netherlands
Chamber of Commerce
51565536
www.telefication.com



Certificate

of
Radio Equipment in JAPAN

No: 201-200749 / 00

Telefication, operating as Conformity Assessment Body (CAB ID Number: 201) with respect to Japan, declares that the listed product complies with the Technical Regulations Conformity Certification of Specified Radio equipment (ordinance of MPT N° 37,1981)

Product description: **BLE 5.0 Module**
Trademark: **Richlink**
Type designation: **RL62M01A**

Manufacturer: **Sin Kong Technology Co., Ltd.**
Address: **No.7, Beiyuan 2nd Rd., Zhongli District,**
City: **Taoyuan,**
Country: **Taiwan**

This certificate is granted to:

Name: **Richlink Technology Co., Ltd.**
Address: **14F.-6, No.2, Xinde Rd.,**
City: **Zhubei City, Hsinchu County 302,**
Country: **Taiwan (R.O.C.)**

This certificate has THREE Annexes.

Zevenaar, 30 September 2020

CAB

David Chen

David Chen
Product Assessor



 laboratory

 certification

 approvals

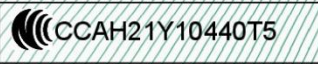
NCC Certificate – (1/2)



德凱認證股份有限公司
電信管制射頻器材型式認證證明

證照字號：型式字第 AH 號

- 一、申請者： 沅鉅科技股份有限公司
- 二、地址： 新竹縣竹北市泰和里新和路 2 號 14 樓之 6
- 三、製造廠商： 沅鉅科技股份有限公司
- 四、器材名稱： 藍牙無線模組
- 五、廠牌： Richlink
- 六、型號： RL62M01A
- 七、發射功率(電場強度)： 2402MHz ~ 2480MHz ; -0.54 dBm
- 八、工作頻率： 如第七點所述
- 九、審驗日期： 110 年 05 月 31 日
- 十、審驗合格標籤式樣：



- 十一、警語或標示要求：
1. 於本體明顯處標示審驗合格標籤或符合性聲明標籤及其型號，並於包裝盒標示主管機關標章，始得公開陳列或販賣。最終產品應於本體明顯處標示非隨插即用射頻模組(組件)之審驗合格標籤及最終產品型號，並於包裝盒標示主管機關標章，始得公開陳列或販賣。
 2. 請依主管機關或相關技術規範規定於指定位置標示正體中文警語。
 3. 電信管制射頻器材內建螢幕或須連接螢幕始能操作者，第一點標籤、型號或正體中文警語標示得以螢幕顯示代之，並於包裝盒、使用手冊或說明書載明操作方式。
 4. 於網際網路販賣電信管制射頻器材者，應於該網際網路網頁標示其型號及審驗合格標籤或符合性聲明標籤資訊。但最終產品得僅標示其型號及其組裝之非隨插即用射頻模組(組件)之審驗合格標籤資訊。
 5. 以取得審驗證明之完全射頻模組(組件)組裝成完全最終產品後，取得該完全射頻模組(組件)之審驗證明者，應於該完全最終產品販賣前，檢附標註完全最終產品廠牌、型號及外觀照片之電子檔案，向原驗證機關(構)登錄。
 6. 審驗合格標籤及符合性聲明標籤屬取得審驗證明者所有。
 7. 取得型式認證證明或符合性聲明證明者得授權他人於同廠牌同型號之電信管制射頻器材或非隨插即用射頻模組(組件)使用審驗合格標籤或符合性聲明標籤。被授權使用審驗合格標籤或符合性聲明標籤者應依上述第 1-5 點規定辦理。

- 十二、特殊記載事項：
1. 變更原申請者、廠牌、型號、硬體、射頻功能、外觀、顏色、材質、電源供應方式、配件或天線時，除本辦法另有規定外，應重新申請審驗。
 2. 於相關技術規範修正，並限期重新申請審驗時，應申請重新審驗。
 3. 應妥善保管申請審驗之電信管制射頻器材或非隨插即用射頻模組(組件)、外接電源、配件、外接天線、與檢驗報告或測試報告相符之測試治具及與檢驗報告或測試報告使用相同版本之測試軟體至該器材停

NCC Certificate – (2/2)



- 止生產或停止輸入後五年。
- 經發現有電信管制射頻器材審驗辦法第 22 條所列之情形時，主管機關或原驗證機構得依規定廢止其審驗證明。

說明：

- 本公司係經主管機關委託之驗證機構（證書號碼：NCC-RCB-07、機構地址：24457 新北市林口區文化一路二段 159 號、電話：02-2602-6888），核發本型式認證證明。
- 請依上列型號、標籤式樣於電信管制射頻器材本體明顯處標示其型號及審驗合格標籤，並於包裝盒標示主管機關標章。但最終產品應於本體明顯處標示最終產品型號及上列標籤式樣，並於包裝盒標示主管機關標章。
- 本器材之製造、輸入或販賣須遵守電信管理法相關規定。

備註：

- 本器材符合低功率射頻器材技術規範(4.10.1 章節)之規定。
- 本器材之審驗範圍僅限無線射頻硬體功能，不及於器材之資通安全檢測。
- 本器材屬於完全性模組認證可適用各種平台。平台指不組裝非隨插即用射頻模組（組件），仍具備該平臺主要功能之器材，平臺之主要功能不限於電子訊息之儲存、有線或其他無線傳輸，惟平臺之主要功能不得僅為機殼或屏蔽外殼。不符合平台定義者，其與型式認證完全模組組裝成最終成品，應以該最終成品申請型式認證。
- 本模組、其組裝之最終產品，與併同販賣之外接電源、配件或外接天線，應符合相關審驗辦法及技術規範規定。若本模組、其組裝之最終產品，與併同販賣之外接電源、配件或外接天線，經抽驗不合格者，將廢止本模組型式認證證明。
- 本器材使用天線如下：

項次	天線型式	廠牌	型號	頻率範圍 (MHz)	Gain (dBi)
Ant-1	PCB Antenna	Richlink Technology Co., Ltd	RL62M01A	2402 ~ 2480	-3.53

(以下空白)

IEC/EN 62368-1 Certificate



Worldwide Testing Services (Taiwan) Co., Ltd.

CERTIFICATION OF TESTING

Under EU-LOW VOLTAGE DIRECTIVE (LVD) 2014/35/EU
and RADIO EQUIPMENT DIRECTIVE (RED) 2014/53/EU

This certifies that the following designated product

Product description: BLE 5.0 Module
Model No. : RL62M01A
Brand Name : Richlink

.....
(Product identification)

Has been tested in accordance to essential protection requirements of RADIO EQUIPMENT DIRECTIVE (RED)2014/53/EU,the European LOW VOLTAGE DIRECTIVE (LVD) 2014/35/EU and found the test results indeed meet the limitation of the relevant test standard(s) listed below:.

IEC 62368-1:2014/COR1:2015 and EN 62368-1:2014/A11:2017
IEC 60950-1:2005, AMD1:2009, AMD2:2013

.....
(Identification of regulations / standards)

This certificate is issued for

Richlink Technology Co., Ltd.
14F.-6, No.2, Xinde Rd., Zhubei City, Hsinchu County 302, Taiwan (R.O.C.)

.....
(Name / Address)

SPECIAL STATEMENT:

THE CERTIFICATION IS VALID ONLY IN CONNECTION TO THE TEST REPORT NUMBER W6M22105-20900-L
AND TO THE SAMPLE HAS BEEN TESTED BY WORLDWIDE TESTING SERVICES (TAIWAN) Co., LTD.



May 14, 2021

.....
(Date)

Rex Kao

.....
Rex Kao, Laboratory Director

Worldwide Testing Services(Taiwan) Co., Ltd.
6F, NO. 58, LANE 188, RUEY-KUANG RD., NEIHU, TAIPEI 114, TAIWAN, R.O.C.